



A superb selection of luxurious wood-burning fireplaces with dimensions and features on a grand scale. Elegantly designed to provide a distinctive focal point in any room.

LENNOXTM
HEARTH PRODUCTS

DAVE LENNOX
signature
COLLECTION



Magna-Fire™ has one of the largest, unobstructed views ever offered in a see-through fireplace.

■ The Dave Lennox *Signature™* Collection line of wood-burning fireplaces represents the highest achievement in design and performance. Each offering displays an impressive fire with a commanding presence that provides your home with a distinctive focal point. The Estate™ is our largest masonry-style wood-burning fireplace—an ideal centerpiece for a spacious living area. The Colonial™ features a “high-opening” style reminiscent of hearths used in America’s early days. And the Magna-Fire™ fireplace offers a see-through configuration that delivers over 2,000 square inches of combined viewing area from two rooms. All three models offer customizable design options to suit the most discerning tastes. ■



Estate™ is one of the largest factory-built, traditional masonry-style fireplaces ever offered.



Colonial™ is a high-profile, high-opening fireplace that's perfect for high-ceilinged rooms.

MAGNA-FIRE-ONLY FEATURES

- Beautifies two large rooms at once
- Two opposing sides offer over 2,000 square inches of viewing area
- Jumbo 24" tall by 43" wide opening

COLONIAL-ONLY FEATURES

- Dramatic, high-opening style is reminiscent of early American hearths
- Offers a 29" x 36" brick-to-brick opening

STANDARD FEATURES

- Clean face, true masonry look
- Realistic brickaded refractory with hidden screen pockets
- Traditional or Herringbone pattern brickaded refractory interior offers custom masonry look (Herringbone pattern not available on Magna-Fire)
- Inclined, masonry-look ash lip that's flush with the front opening
- Large heavy-duty steel grate holds up to six logs
- Built-in nailing tabs for easy installation
- Integral damper and two-wall chimney system (10" for the Colonial and 13" for the Estate and Magna-Fire)
- Outside combustion air gate mechanism
- 20-year limited warranty
- Backed by the Good Housekeeping Seal

OPTIONAL ACCESSORIES

- Choice of Deluxe glass doors in either black, brushed stainless or brass finishes (two door sets are required on Magna-Fire)
- Outside combustion air kit

ESTATE-ONLY FEATURES

- Our largest factory-built, traditional masonry-style wood-burning fireplace
- Offers a 28" x 48" brick-to-brick opening
- Over seven square feet of interior hearth area



Traditional pattern brickaded interior



Herringbone pattern brickaded interior



COLONIAL™



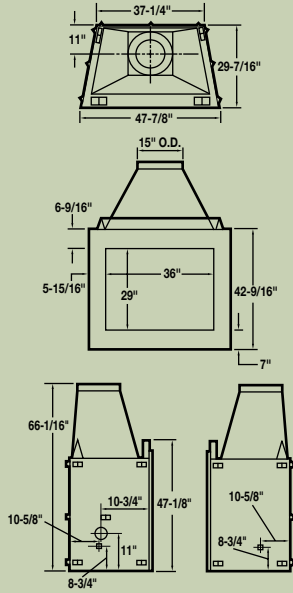
ESTATE™



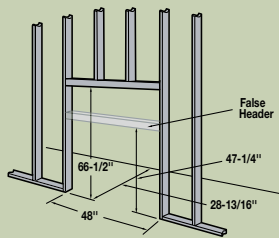
MAGNA-FIRE™

DIMENSIONS

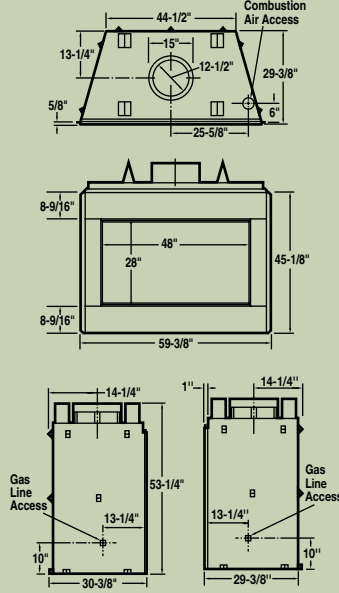
COLONIAL



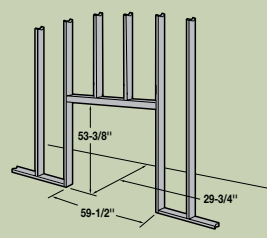
COLONIAL FRAMING



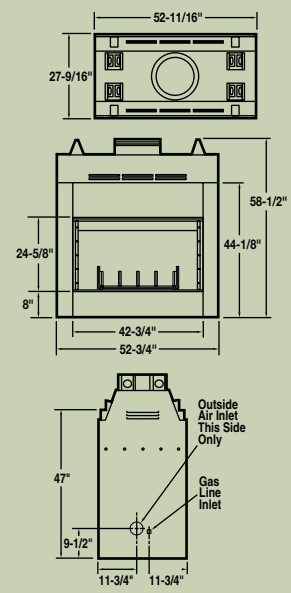
ESTATE



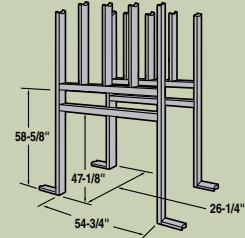
ESTATE FRAMING



MAGNA-FIRE



MAGNA-FIRE FRAMING



PRODUCTS YOU CAN COUNT ON

Lennox is committed to providing you with high-quality products. A qualified dealer can help you find the right product to give you years of comfort and enjoyment.



HEARTH PRODUCTS

© Lennox Industries Inc. 2010

Visit us at www.lennox.com, or contact us at 1-800-9-LENNOX.

IMPORTANT NOTES:

As with any heating appliance, fireplace or stove, this appliance is extremely hot during operation. Read and understand all operating instructions before using this appliance. For further information, consult your dealer.

Actual performance may vary depending upon home design and insulation, ceiling heights, climate, condition and type of wood used, appliance location, burn rate, accessories chosen, chimney installation and how the appliance is operated.

Diagrams, illustrations and photographs are not to scale—consult installation instructions. Product designs, materials, dimensions, specifications, colors and prices are subject to change or discontinuance without notice.

