



Delivering a true masonry look with a clean-face design, retractable doors and fire screens, and expansive dimensions for a gorgeous presentation and view of the fire

**LENNOX**™

**HEARTH PRODUCTS**

DAVE LENNOX  
*signature*  
COLLECTION™



**Cambria™** shown.

■ The clean and open design of the Dave Lennox *Signature™* Collection Cambria™ wood-burning fireplace captures the dramatic spirit of the masonry fireplace. Its opening's unique vertical aspect delivers an unobstructed view of the fire and allows homeowners to build large fires with unrestricted flames. To enhance the viewing area, the retractable double doors and pocket fire screens move easily out of sight. Plus, the adjustable combustion control enhances the radiant heating, achieving efficiencies as high as 50%. An optional forced-air kit is also available to help push heat into the room. The Cambria offers a distinguished choice that delivers all the advantages of a real masonry fireplace—and then some! ■



## STANDARD FEATURES

- a. Retractable doors help add to the open appearance and exceptional viewing area by sliding into the sides of the frame and out of sight
- b. Large andirons deliver an attractive addition to the overall aesthetics and help keep the logs stable and in place
- c. Custom brick refractory complements the attractive masonry appearance and takes advantage of the full height of the firebox

Louverless design delivers a clean and elegant appearance that captures the look and feel of a true masonry fireplace

Large glass viewing area provides a substantial opening for the ultimate visual experience from anywhere in the room

Pocket fire screen adds the benefit of a low-cost spark arrester that moves out of sight with the doors

Combustion control allows for customized heating performance and enhanced burning efficiency

Ceramic glass allows radiant heat to transfer into the room and also provides exceptional heat resistance

10" ASHT+ chimney assures safe and efficient operation

Limited lifetime warranty



*Retractable doors/andirons*



*Custom brick refractory*

## OPTIONAL ACCESSORIES

Pre-wired fan with floor access makes installation and electrical hook-up simple through a trapdoor at the bottom of the hearth

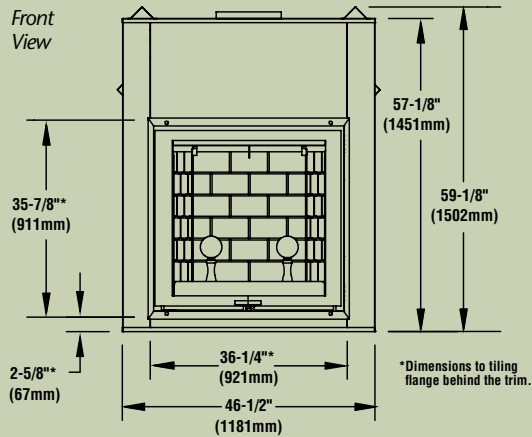
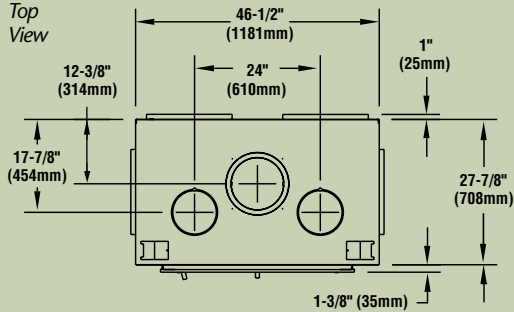
Gravity duct provides more heat recovery without the need for an external source

Forced-air kit helps direct radiant heat into the room to enhance heating performance



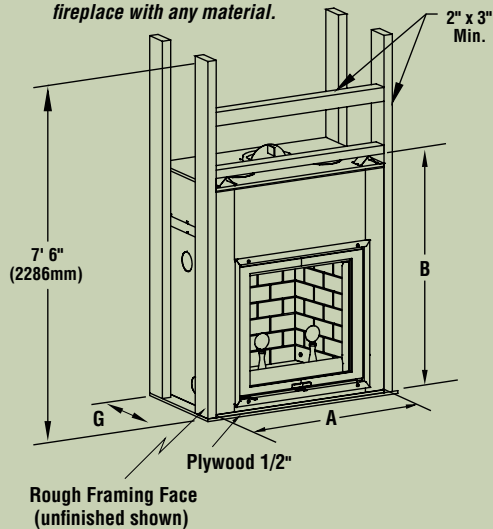
**Cambria™**

**CAMBRIA SPECIFICATIONS**



**Fireplace Framing**

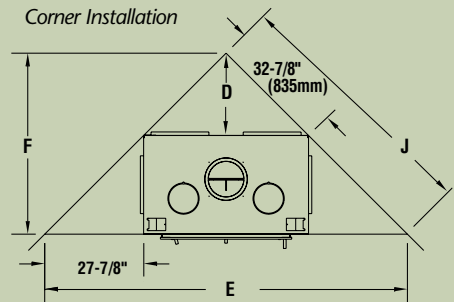
*Do not fill the space above the fireplace with any material.*



**FRAMING DIMENSIONS**

Fireplace Opening Width	
A	48-3/4" 1238 MM
B	59-3/8" 1508 MM
C	48-1/2" 1232 MM
D	23-1/4" 591 MM
E	102-1/4" 2597 MM
F	51-1/8" 1299 MM
G	28-7/8" 733 MM
J	72-5/16" 1837 MM

**Corner Installation**



**PRODUCTS YOU CAN COUNT ON**

Lennox is committed to providing you with high-quality products. A qualified dealer can help you find the right product to give you years of comfort and enjoyment.



**HEARTH PRODUCTS**

© Lennox Industries Inc. 2009

Visit us at [www.lennox.com](http://www.lennox.com), or contact us at 1-800-9-LENNOX.

**IMPORTANT NOTES:**

As with any heating appliance, fireplace or stove, this appliance is extremely hot during operation. Read and understand all operating instructions before using this appliance. For further information, consult your dealer.

Actual performance may vary depending upon home design and insulation, ceiling heights, climate, condition and type of wood used, appliance location, burn rate, accessories chosen, chimney installation and how the appliance is operated.

Diagrams, illustrations and photographs are not to scale—consult installation instructions. Product designs, materials, dimensions, specifications, colors and prices are subject to change or discontinuance without notice.

