



With no chimney or flue system required, these vent-free fireplaces from Superior® exemplify efficiency and versatility. Certified as supplemental heaters, they deliver 99% energy efficiency. And with a choice of several design options, these units offer a variety of looks for optimal beauty in your living environment.



**VF4000-2** shown



**VF6000-2** shown with wall surround finished in a cherry wood stain.



VF4000-2



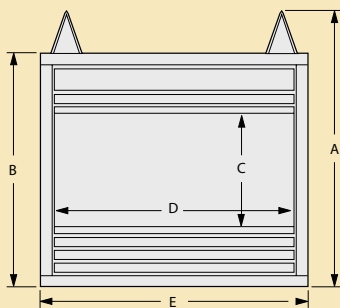
VF5000-2



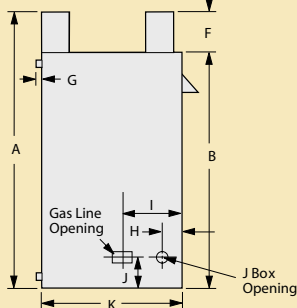
VF6000-2

### DIMENSIONS

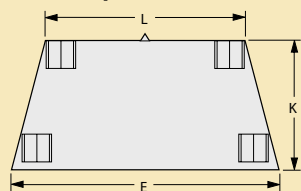
Front View



Left Side View



Top View



	VF4000-2 / 5000-2	VF6000-2
A	37"	42-1/8"
B	31-1/2"	36-5/8"
C	15"	20"
D	30"	34"
E	36"	40"
F	5-1/2"	5-1/2"
G	1/2"	1/2"
H	3-3/4"	3-3/4"
I	7-1/2"	8-1/2"
J	3"	3"
K	15-1/2"	19-1/2"
L	27"	28-1/2"

### BTU CHART

	Natural	Propane
VF4000-2 manual	14,000 - 25,000	14,000 - 25,000
VF4000-2/5000-2 millivolt	19,500 - 25,000	19,500 - 25,000
VF6000-2	25,000 - 32,000	25,000 - 32,000

### FRAMING DIMENSIONS

	Width	Height	Depth
VF4000-2/5000-2	37"	37-1/4"	15-1/2"
VF6000-2	41"	42-3/8"	19-1/2"

### STANDARD FEATURES

Fixed (VF4000-2) or operable (VF5000-2 and VF6000-2) heavy-duty mesh screen

Controls hidden in access compartment

Available millivolt controls and peizo ignition operate during a power failure

### OPTIONAL ACCESSORIES

Refractory tan brick liner panels

1100-CFM fan circulates warm air into the room

Gas flex line kit

Square brass trim kit

Brass louver kit

Arch kit (for VF5000-2 & VF6000-2 only)

Glass door kit (for VF5000-2 & VF6000-2 only)

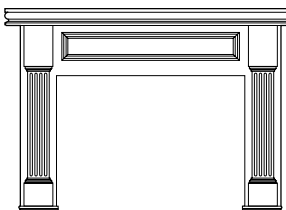
Brass hood kit (for VF5000-2 & VF6000-2 only)

Wall switch or optional wireless remote available (for VF4000-2MV, VF5000-2 & VF6000-2)

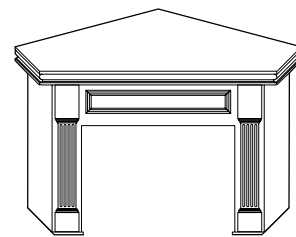
Wall thermostat (for VF4000-2MV, VF5000-2 & VF6000-2)

### Surrounds

The Charleston poplar surround is hand crafted using a combination of solid poplar and poplar veneer, which can be painted or stained. The surround is easy to assemble, and is available in wall and corner units.



(SUR-5PW)  
Wall unit surround



(SUR-5PC)  
Corner unit surround

### IMPORTANT NOTES:

As with any heating appliance, fireplace or stove, this appliance is extremely hot during operation. Read and understand all operating instructions before using this appliance. For further information, consult your Lennox dealer.

Local conditions, such as elevation and choice of fuel will affect overall appearance of the fire and heating performance. Performance can also vary with home design and insulation, ceiling height, accessories chosen and appliance location.

Diagrams, illustrations and photographs are not to scale - consult installation instructions.

Product designs, materials, dimensions, specifications, colors and prices are subject to change or discontinuance without notice.

Built to ANSI Z21.11.2 standard and approved by OMNI Test Laboratories.

Consult your distributor for local fireplace code information.

Distributed by:

ON THE COVER: VF5000-2 shown with optional brass finish louvers and hood.



©Lennox Industries Inc. 2007

Visit us at [www.Lennox.com](http://www.Lennox.com), or contact us at 1-800-9-LENNOX.

785142M 07/07

All Superior fireplaces include a 20-year limited warranty and are listed by nationally recognized listing agencies.



OMNI-Test Laboratories, Inc.