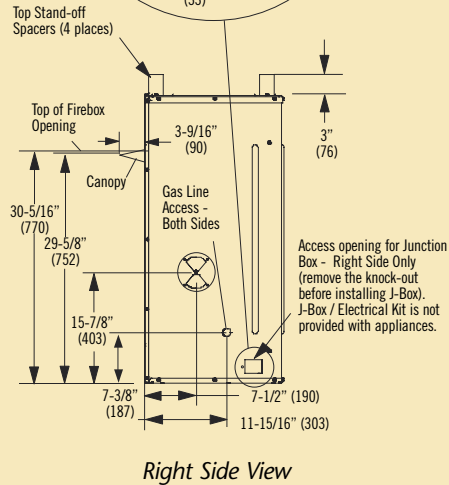
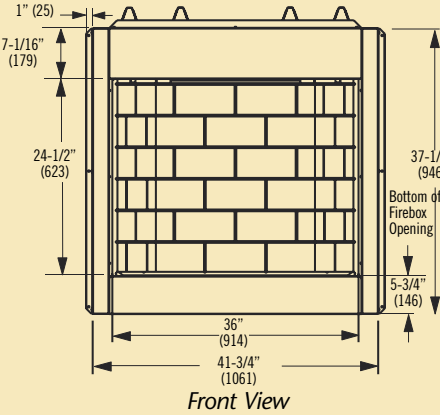
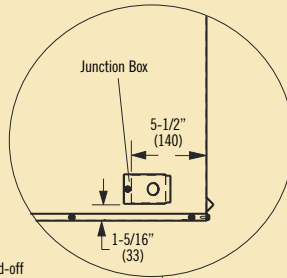
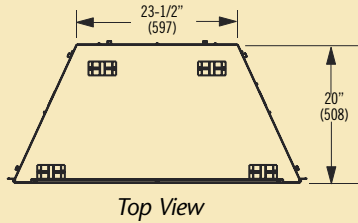




The Superior® UVF-36 Universal Vent-Free Firebox offers a large opening in a clean-face, louverless look that complements current trends in home design.



DIMENSIONS



UVF-36

STANDARD FEATURES

Traditional pattern brick liner (back and sides) offers custom masonry look

Charcoal finish canopy

Mesh draw screens

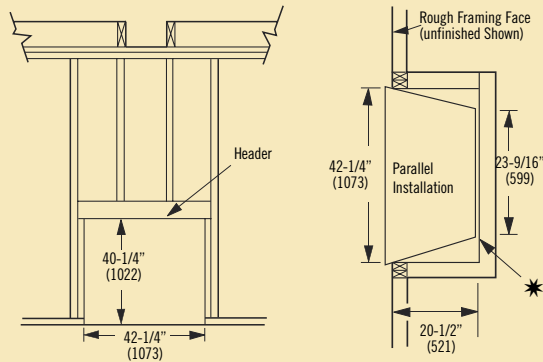
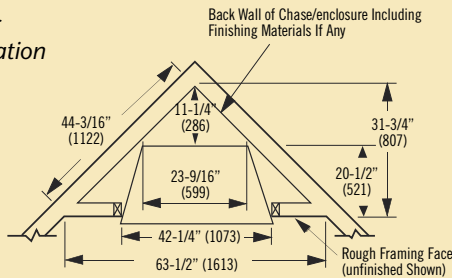
Durable charcoal powder coat finish

Easy gas line access with knockouts on both sides

20-year limited warranty

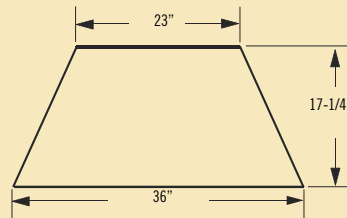
FRAMING DIMENSIONS

Corner Installation



* Back Wall of Chase/Enclosure Including Finishing Materials If Any

HEARTH DIMENSIONS



UVF-36

OPTIONAL ACCESSORIES

Forced air blower kit

Decorative mesh screen door (Textured Iron finish shown in cover photo)

Outside air kit

Wall switch

Junction box (required for forced air blower kit)

Cover photo: UVF-36 shown with optional decorative mesh screen door and VFGL-24-4 gas logs

IMPORTANT NOTES:

As with any heating appliance, fireplace or stove, this appliance is extremely hot during operation. Read and understand all operating instructions before using this appliance. For further information, consult your Lennox dealer.

Local conditions, such as elevation and choice of fuel will affect overall appearance of the fire and heating performance. Performance can also vary with home design and insulation, ceiling height, accessories chosen and appliance location.

Diagrams, illustrations and photographs are not to scale - consult installation instructions. Product designs, materials, dimensions, specifications, colors and prices are subject to change or discontinuance without notice.

LISTING: These Universal Vent-Free (built-in) Fireboxes have been tested and listed as Ventless Firebox Enclosures for Gas-Fired Unvented Decorative Room Heaters to ANSI Z21.91.

APPROVED GAS LOGS: These appliances are listed for use ONLY with Vent-Free Gas Log Room Heaters listed to ANSI Z21.11.2 which have an input not to exceed 40,000 BTU/Hr.



©Lennox Industries Inc. 2009

Visit us at www.Lennox.com, or contact us at 1-800-9-LENNOX.

785187M 08/09



OTL Report No.116-F-38-5