



The Superior™ direct-vent family of fireplaces offer large viewing areas and a slim firebox depth to bring the fire closer to the room, providing a stunning louverless presentation. SLDVT units are heater-rated and provide efficient heat circulation for relaxing room warmth.



SLDVT-45 shown with *Traditional Buff refractory liner*

 **SUPERIOR™**

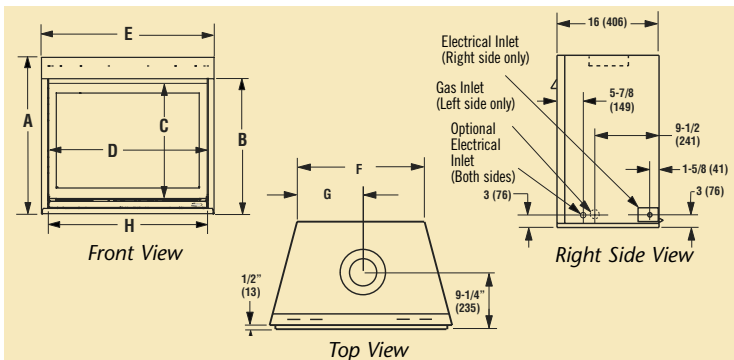


SLDVT-30

SLDVT-35

SLDVT-40

SLDVT-45



DIMENSIONS Inches (millimeters)

	SLDVT-30	SLDVT-35	SLDVT-40	SLDVT-45
A	32-1/4" (819)	32-1/4" (819)	37-1/4" (946)	37-1/4" (946)
B	28-1/8" (714)	28-1/8" (714)	33-1/8" (841)	33-1/8" (841)
C	23-1/4" (590)	23-1/4" (590)	28-1/4" (718)	28-1/4" (718)
D	27" (686)	32" (813)	37" (940)	42" (1067)
E	30-1/4" (768)	35-1/4" (895)	40-1/4" (1022)	45-1/4" (1149)
F	20" (508)	25" (635)	30" (762)	35" (889)
G	10" (254)	12-1/2" (317)	15" (381)	17-1/2" (445)
H	28" (711)	33" (838)	38" (965)	43" (1092)

FRAMING DIMENSIONS

	WIDTH	HEIGHT	DEPTH
SLDVT-30	30-1/4" (768)	35-1/4" (895)	16" (406)
SLDVT-35	35-1/4" (895)	35-1/4" (895)	16" (406)
SLDVT-40	40-1/4" (1022)	40-1/4" (1022)	16" (406)
SLDVT-45	45-1/4" (1149)	40-1/4" (1022)	16" (406)

BTU/HR CHART

	NATURAL (HIGH-LOW)	PROPANE (HIGH-LOW)
SLDVT-30NM	13,500 - 10,000	SLDVT-35PM 11,500 - 9,000
SLDVT-35NM	16,000 - 12,750	SLDVT-35PM 15,000 - 11,400
SLDVT-40NM	20,000 - 15,500	SLDVT-40PM 18,000 - 14,000
SLDVT-45NM	23,000 - 17,500	SLDVT-45PM 22,000 - 17,000

FIREPLACE EFFICIENCY %

	SLDVT-30	SLDVT-35	SLDVT-40	SLDVT-45
ENERGUIDE**	NG 51 LP 54	59 61	61 61	59 61
A.F.U.E.	NG 57 LP 58	59 61	62 64	64 66

** Intermittent ignition systems

Large Cover Photo: SLDVT-40 shown with Traditional Red refractory liner.

STANDARD FEATURES

- Dramatic louverless design
- Flex connector with shut off and connecting pipe nipple
- Wiring for optional wall switch
- Millivolt (standing pilot) or electronic ignition with battery back-up
- Rugged oak-style logs, burning embers and lava rock
- Variable hi/lo valve (millivolt models only)
- Sealed tempered glass panel
- Controls hidden in low profile access compartment
- Top vent only models using Security Chimneys™ 4.5"-7.5" Secure-Vent™ and Secure-flex™ vent systems with up to 60' vertical and 20' horizontal allowed
- 20-year limited warranty

OPTIONAL FEATURES

- Screen panel kits*
- Pull Screen front panel kits
- Style View™ Doors, Arched and Square Pane, in Black and Satin Pewter finishes
- Ceramic fiber refractory liners –Traditional Buff and Traditional Red
- Wireless remotes including thermostatically controlled versions
- Forced-air blower kits



SLDVT-35 shown with Arched pane Satin Pewter Style View™ doors.



SLDVT-35 shown with Screen panel kit.



SLDVT-35 shown with Pull Screen front panel kit and Traditional Buff refractory liner



SLDVT-45 shown with Square pane Black Style View™ Doors and Traditional Buff refractory liner

* Screen panel kit provides a barrier to prevent direct contact with hot glass surface

IMPORTANT NOTES:
As with any heating appliance, fireplace or stove, this appliance is extremely hot during operation. Read and understand all operating instructions before using this appliance. For further information, consult your dealer.

Local conditions, such as elevation, wind, vent configuration and choice of fuel will affect overall appearance of the fire and heating performance. Performance can also vary with home design and insulation, climate, condition and type of fuel used, appliance location, burn rate, accessories chosen, chimney installation and how the appliance is operated.

Diagrams, illustrations and photographs are not to scale - consult installation instructions. Product designs, materials, dimensions, specifications, colors and prices are subject to change or discontinuation without notice.

Built to ANSI Z21.88 and CSA 2.33 standards.
Consult your distributor for local fireplace code information.

Tested & Listed By Portland Oregon USA
OMNI-Test Laboratories, Inc.
OTL Report No. 116-F-50-5

Mixed Sources
Cert no. SCS-COC-001182
© 1996 FSC

Canada
ENERGUIDE
Look for the **EnergyGuide** Gas Fireplace Energy Efficiency Rating in this brochure
Based on CSA P.4.1-02



©Lennox Industries Inc. 2009
Visit us at www.Lennox.com, or contact us at 1-800-9-LENNOX.