



With the smallest footprints on the market, the Merit™ Plus Series multi-view gas fireplaces offer a maximum viewing area for an enchanting fire from multiple rooms.

LENNOX[™]
HEARTH PRODUCTS

MERIT™ Plus
SERIES



MPB35ST shown with brushed stainless louvers

MPD35ST shown with optional ceramic brick liner kit

■ The bedroom, bath, study or den. Anywhere you can imagine a fireplace, the Merit™ Plus Series see-through or peninsula direct-vent gas fireplaces fit right in. Their compact 15.8-cu.-ft.* design—the smallest footprint and volume on the market—uses less valuable floor space. But don't let the convenient size fool you; the Merit Plus Series see-through and peninsula fireplaces are huge on features. The log sets are unmatched in beauty and realism, with the fire on and off. An enchanting fire fills their spacious openings with a maximized view-to-volume ratio that is absolutely impressive. With heater-rated direct-vent and decorative B-vent configurations, the Merit Plus Series see-through and peninsula fireplaces are the biggest thing to happen to small spaces! ■ **Average of three configurations*

STANDARD FEATURES



a



b

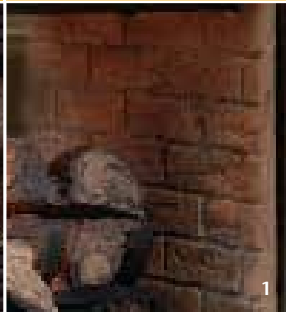


c



4

OPTIONAL ACCESSORIES



1



2



3



5

STANDARD FEATURES

- a. Maximized view-to-volume ratio displays a larger viewing area for optimal fire enjoyment
- b. Deluxe log set features fine natural details that look real with the fire on and off
- c. Fully featured deluxe 5/8" wrought-iron log grate

Compact 35"-wide by 22"-deep footprint provides the ultimate design versatility for even the smallest applications

Flex gas line connector and shutoff valve

Low-voltage on/off switch

Operable deluxe control compartment door on valve side

Deluxe pan burner for brilliant yellow flames and glowing embers

Black exterior powder-coat finish

Combination top/rear direct-vent outlets

Standing pilot (works in power failure) or pilotless electronic (intermittent) ignition

High/low flame operation

Pre-wired for wall switch

Backed by the Good Housekeeping Seal

OPTIONAL ACCESSORIES

1. Realistic, buff rustic brick pattern ceramic liners
2. Decorative polished brass or brushed stainless accessories (Arch door kit, door trim, louvers and hood)
3. Radiant panel kits for a clean-face appearance
4. Choice of three wireless remotes:
 - Model RCL – On/Off wireless remote with LCD screen
 - Model RCL-T – On/Off wireless remote with LCD screen plus thermostatic control, timer and clock
 - Model RCL-M – On/Off wireless remote with LCD screen, thermostatic control, timer and clock plus flame adjustment and fan control

5. Screen panel kit**

Style View™ doors (below)*

Fan kits (direct vent models):

- FBK-100 – On/Off operation
- FBK-200 – wall-mounted rheostat control
- FBK-250 – temperature sensor control, plus unit-mounted rheostat control



OPTIONAL STYLE VIEW™ DOOR DESIGNS*



Arch design



Arch Pane design



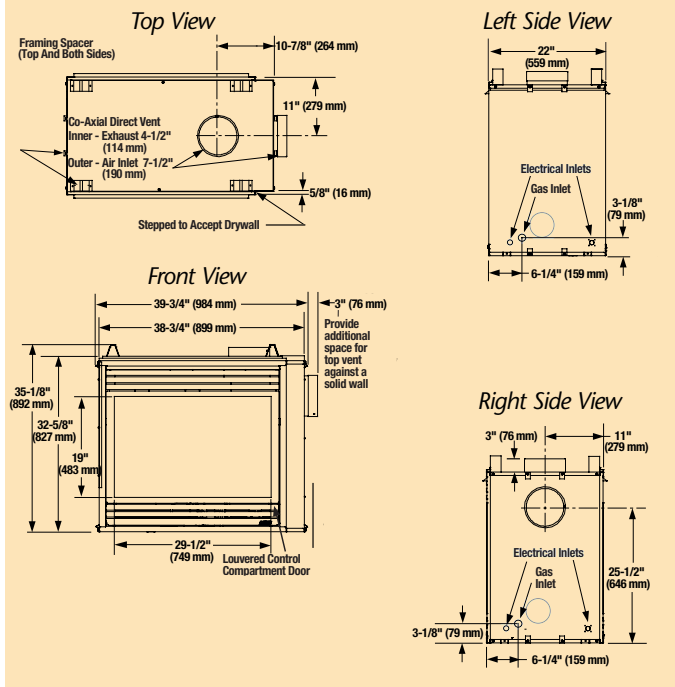
Square design



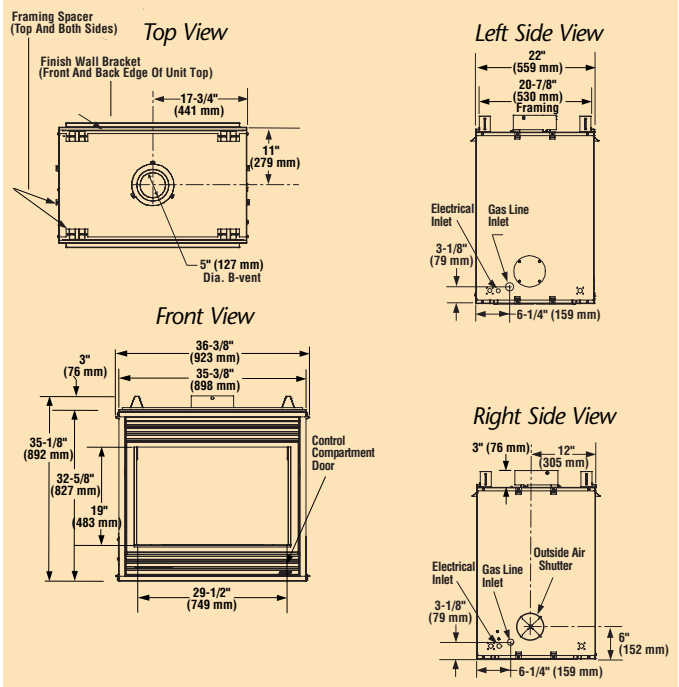
Square Pane design

*See-through models only. Shown with various Lennox fireplace models for representation.
 **Screen panel kit provides a barrier to prevent direct contact with the hot glass surface.

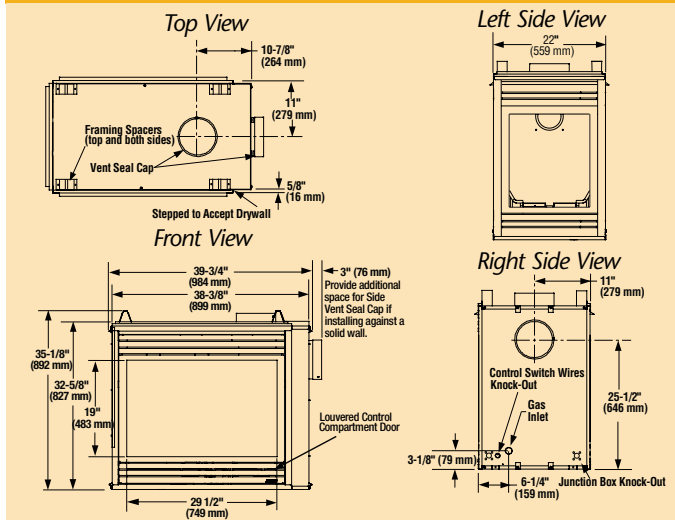
MPD35ST DIMENSIONS



MPB35ST DIMENSIONS



MPDPF DIMENSIONS



SPECIFICATIONS

MODEL	FRAMING WIDTH	FRAMING HEIGHT	FRAMING DEPTH	BTU
MPDST	39-7/8"	35-1/4"	20-3/4"	30,000 (NG)
				28,000 (LP)
MPDPF	38-3/4"	35-1/4"	20-3/4"	30,000 (NG)
				28,000 (LP)
MPBST	36-1/2"	35-1/4"	20-3/4"	30,000 (NG)
				28,000 (LP)

EFFICIENCY %

	MPDST	MPDPF	MPBST
EnerGuide*	61 (NG)	61 (NG)	27 (NG)
	62 (LP)	62 (LP)	28 (LP)
AFUE	65 (NG)	65 (NG)	
	67 (LP)	67 (LP)	

*Intermittent ignition system

PRODUCTS YOU CAN COUNT ON

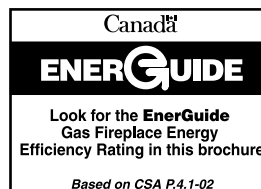
Lennox is committed to providing you with high-quality products. A qualified dealer can help you find the right product to give you years of comfort and enjoyment.

LENNOX

HEARTH PRODUCTS

© Lennox Industries Inc. 2009

Visit us at www.lennox.com, or contact us at 1-800-9-LENNOX.



IMPORTANT NOTES:

As with any heating appliance, fireplace or stove, this appliance is extremely hot during operation. Read and understand all operating instructions before using this appliance. For further information, consult your dealer.

Local conditions, such as elevation, wind, vent configuration and choice of fuel will affect overall appearance of the fire and heating performance. Performance can also vary with home design and insulation, climate, condition and type of fuel used, appliance location, burn rate, accessories chosen, chimney installation and how the appliance is operated.

Diagrams, illustrations and photographs are not to scale—consult installation instructions. Product designs, materials, dimensions, specifications, colors and prices are subject to change or discontinuance without notice.

Approved to U.S. and Canadian safety and performance standards—MPDST, MPDPF; ANSI Z21.88/CSA 2.33-M98 vented gas fireplace heaters (OTL 116-F-28-5). MPBST; ANSI Z21.50/CA 2.17-M98 decorative gas appliances (OTL 16-F-27-5).

