



Louverless clean-face design delivers the elegance of traditional masonry with a dynamic flame, ember bed and log set that create a realistic and incomparable fire presentation.

**LENNOX**<sup>TM</sup>  
**HEARTH PRODUCTS**

**ELITE**<sup>TM</sup> SERIES



**ELDV-45** shown with standard charcoal trim.

■ The Elite™ Series ELDV gas fireplace from Lennox is the perfect blend of traditional styling and modern hearth technology.

With the look and feel of a classic masonry fireplace, the clean and elegant louverless design has timeless appeal.

Its vertical aspect ratio and “up-to-the-glass” installation provide a marvelous full view of the dramatic new fire technology.

The tall, glowing flames, the rich, unstructured ember bed and the detailed, campfire-style log set all combine to create

one of the most beautiful and realistic fires available. And with precise flame and heat control, enjoying a fire has never

been so convenient, comfortable and dazzling. ■

## STANDARD FEATURES

Deluxe pan burner, with hidden burner ports, and an unstructured ember bed create outstanding realism

Detailed charred oak campfire-style logs imitate the natural look of real stacked wood

Louverless design has a clean, traditional masonry look for timeless appeal

Vertical-aspect glass enclosure panel provides an exceptional view and airtight protection

21,000–30,000 BTUs\* deliver outstanding flame height and log glow at an energy-efficient burn rate

Adjustable flame height. Choose between millivolt, standing pilot systems or Dexan-battery-backed up intermittent ignition systems that ensure reliable operation—even during a power failure.

Direct-vent chimney system for greater efficiency, exceptional heat output, and cleaner indoor air

Patented, remotely adjustable burner air shutter helps shorten set-up times and allows the fire appearance to be “dialed-in” during installation

Available in three sizes—35", 40" and 45"

Backed by the Good Housekeeping Seal

*\*Inclusive of turndown rates.*

*\*\*Provide a barrier to prevent direct contact with hot glass surface.*

## OPTIONAL ACCESSORIES

Panled arch or square louverless Style View™ doors available in charcoal or satin pewter finishes

Screen panel kits\*\*

Freestanding dual arch screen\*\*

Ceramic brick fireplace liners available in Buff Rustic, Buff Rustic Herringbone, Red Rustic or Red Old Cottage

Forced air blower kit



*Buff Rustic*



*Buff Rustic Herringbone*



*Red Rustic*



*Red Old Cottage*



*Arch pane design in satin pewter*



*Square pane design in charcoal*



*Freestanding dual arch screen*



**ELDV-35** shown with standard charcoal trim.



*Shown with Buff Rustic Herringbone ceramic brick fireplace liner and screen panel kit.*



*Shown with Red Old Cottage ceramic brick fireplace liner.*

## DIMENSIONS



ELD V-35 (35")

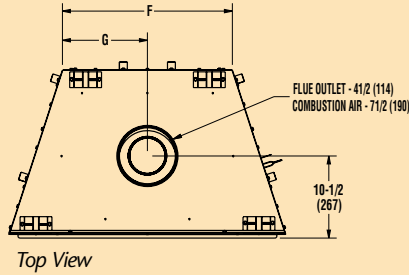


ELD V-40 (40")

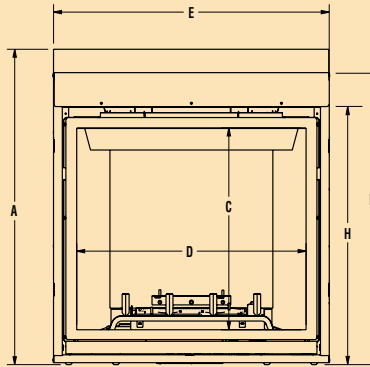


ELD V-45 (45")

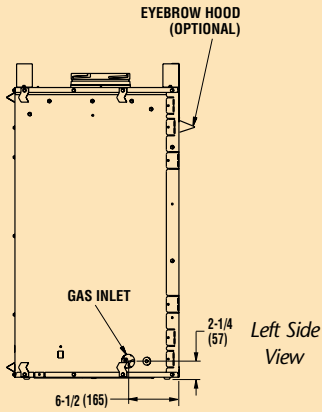
## GAS FIREPLACE SPECIFICATIONS



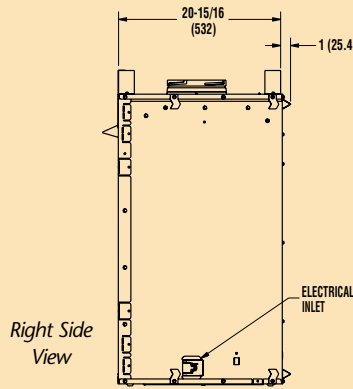
Top View



Front View



Left Side View



Right Side View

MODEL	FRAMING								BTU/HR				
	A	B	C	D	E	F	G	H	WIDTH	HEIGHT	DEPTH	NAT. GAS	PROPANE
ELD V-35	40-1/8"	37-1/8"	25-5/8"	29-1/8"	35-1/8"	21-1/2"	10-3/4"	32-1/2"	36"	40-1/2"	21-1/2"	27,000	26,000
ELD V-40	40-1/8"	37-1/8"	25-5/8"	34-1/8"	40-1/8"	26-1/2"	13-3/4"	32-1/2"	41"	40-1/2"	21-1/2"	29,000	27,000
ELD V-45	40-1/8"	37-1/8"	25-5/8"	39-1/8"	45-1/8"	31-1/2"	15-3/4"	32-1/2"	46"	40-1/2"	21-1/2"	30,000	28,000

On the cover: ELD V-40 shown.

## PRODUCTS YOU CAN COUNT ON

Lennox is committed to providing you with high-quality products. A qualified dealer can help you find the right product to give you years of comfort and enjoyment.

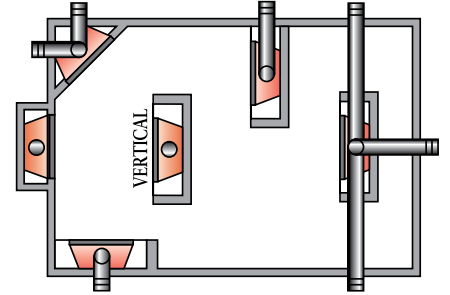
**LENNOX**  
HEARTH PRODUCTS

© Lennox Industries Inc. 2009

Visit us at [www.lennox.com](http://www.lennox.com), or contact us at 1-800-9-LENNOX.

785182M 10/09

## TYPICAL TOP-VENT-ONLY APPLICATIONS



## GAS FIREPLACE EFFICIENCY %\*

MODEL	STEADY-STATE	AFUE**	CANADIAN ENERGUIDE RATING
ELD V-35	68	66	49
ELD V-40	68	66	49
ELD V-45	68	65	50

\*Intermittent ignition systems.

\*\*Annual Fuel Utilization Efficiency (AFUE) is the recognized U.S. rating system for the total efficiency of heating products.

All Elite™ Series gas fireplaces utilize either a Secure Vent™ (rigid) or Secure Flex™ (flexible) 4.5" outer coaxial venting system, and include a limited lifetime warranty.

### IMPORTANT NOTES:

As with any heating appliance, fireplace or stove, this appliance is extremely hot during operation. Read and understand all operating instructions before using this appliance. For further information, consult your dealer.

Local conditions, such as elevation, wind, vent configuration and choice of fuel will affect overall appearance of the fire and heating performance. Performance can also vary with home design and insulation, climate, condition and type of fuel used, appliance location, burn rate, accessories chosen, chimney installation and how the appliance is operated.

Diagrams, illustrations and photographs are not to scale—consult installation instructions. Product designs, materials, dimensions, specifications, colors and prices are subject to change or discontinuation without notice.

