

33 DVI Gas Fireplace Insert



fireplace**x**tordinair™

Introducing our new, large gas insert, the 33 DVI. This insert represents a new direction in gas heating that offers you a top-quality gas fireplace insert at an affordable price.

The 33 DVI is all about basics: a big, beautiful, brightly glowing fire and a simplified operating system, yet offering the same glass viewing area as the top selling Fireplace Xtordinair Model 34 DVL GreenSmart gas insert. The 33 DVI features the Dancing-Fyre™ split-flow, burner and IPI electronic ignition that allows you a great looking fire and a “green” money saving solution to home heating.

Turn Your Old Fireplace Into An Efficient Heat Source

The 33 DVI gas fireplace insert is designed to transform virtually any metal or masonry fireplace into an efficient source of heat. Traditional open fireplaces can have efficiency ratings as low as 15% and can actually draw the heat out of your home! Our gas inserts achieve efficiency ratings as high as 76.5% and may be used as a primary heat source in a medium to large home.

Heating Capacity:* 600 to 2,000† Sq. Ft. (†with optional fan)

Maximum BTU/HR Input:** 40,000 (NG/LP)

Minimum BTU/HR Input:** 11,900 (NG) 7,400 (LP)

Steady State Efficiency:** Up to 84% (NG) 86% (LP)

Dimensions: Height = 23 3/4" Width = 31 1/2" (Front), 20" (Back) Depth = 14 1/2"

* Heating Capacity will vary with floor plan, insulation, and outside temperature.

** Efficiency rating is a product of thermal efficiency determined under continuous operation independent of installed system.

Features

- Dancing-Fyre Burner features realistic logs, glowing red embers and wood-like fire.
- Easy Heat/Flame Adjustment with a large high-to-low flame turndown ratio - up to 70% (NG) and 82% (LP).
- Comfort Control™ that allows you to turn off the rear burner for less heat when desired for year-round enjoyment of the fire.
- Built-in battery backup allows continued operation of your gas stove during power outages. Automatically switched back to AC when the power comes back on.
- LP Conversion kit included with insert at no additional cost.
- LED lighted control panel automatically lights up when you lower the front access panel. Powered by a 9 volt battery, this feature operates even during power outages.
- Choice of pilot ignition modes - IPI Electronic Ignition for instant fire when you want it or Standing Pilot for colder climates where a heated chimney is needed to maintain the draft.
- Optional 180 CFM Convection Blower will increase the efficiency and rate of heat transfer from the insert into your home.
- Approved for installation into both zero clearance (metal) and masonry fireplaces.

Control Panel

Note: For convenience, the Main Burner switch can be located on top right side of the finish panel.



Optional Blower Control

Flame Adjustment Control

Pilot Choice Switch

Comfort Control Switch

Battery Back-up

Main Burner Switch
(Placed Here when used with inside fit panels)

Finish Options

Reversible Fireback

All gas inserts feature the option of adding a realistic ceramic brick fireback that looks like real masonry brick. The fireback is reversible and offers you the choice of Common Brick or Herringbone Brick patterns.



Common Straight Brick Pattern

Herringbone Brick Pattern

Wall Thermostat

The wall thermostat provides the ability to set the desired temperature that you would like for the room. The fireplace will cycle on and off to maintain your set temperature. The wall thermostat can be wired up to 25 feet away from the appliance and allows for easy hands-free convenience.



Remote Control

Adding a remote provides for the ultimate in easy operation of your fireplace insert. The remote offers ON/OFF and thermostat setting. This remote control also offers a clock, fireplace timer to turn off your insert and a child-proof lockout.



Face Options

Complete Face/Panel

These faces do not require Finish Panels



Universal
Small = 27" H x 40" W
Large = 33 1/2" H x 44" W



Artisan™ Double Door
Require backing plate
Small = 27" H x 40 1/4" W
Large = 33 1/2" H x 44" W

Architectural™ Double Doors

Doors require backing plate. Antique Nickel, Antique Copper and Antique Gold Onlays available for all faces.



Rectangular Doors
Small = 27" H x 40 1/4" W
Large = 33 1/2" H x 44" W



Arched Doors
Small = 27" H x 40 1/4" W
Large = 33 1/2" H x 44" W

Convection Fan

This 180 CFM fan enhances and speeds up the natural heat transfer around the insert and directs it back into your home. Fan must be installed at time of installation.

Insert Wiring Kit

If you do not want to run a power cord across your hearth when using the optional fan or remote? This insert wiring kit allows you to hard-wire your AC power from inside the fireplace.

Finish Panels

To complete the picture after the insert is installed in your fireplace, a set of panels are attached to the insert to accommodate the size variance between the insert face and the size of your existing fireplace opening. Arched panels are also available.

Designed to overlap the existing fireplace opening. These panels can also be cut down to fit inside the opening of the fireplace.



Panel Coverage

- 4" x 6" Panels**
40" W x 29" H
- 8" x 10" Panels**
44 3/16" W x 33 3/8" H
- 10" x 13" Panels**
48 3/16" W x 36 3/8" H

Faces That Require Panels

These faces require Finish Panels to complete

Classic Arch™
26 1/2" H x 34 3/4" W



Black Painted

Artisan™
26 1/2" H x 34 3/4" W



Black Painted

Metropolitan™
26 1/2" H x 34 3/4" W



Black Painted

French Country
27 7/8" H x 33 5/8" W



Black Painted



Brushed Nickel



Antique Nickel



Brushed Nickel



Antique Gold



Antique Copper



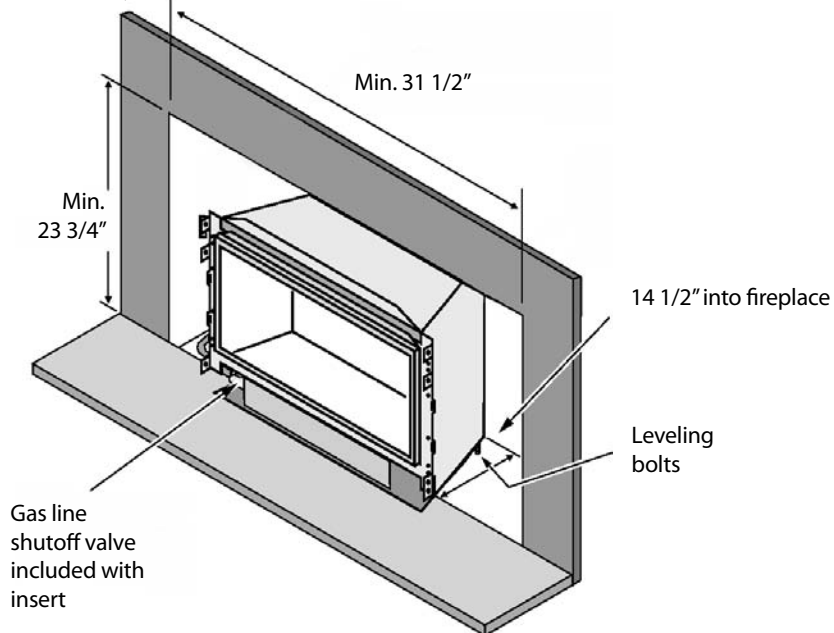
Antique Gold

33 DVI Installation Specifications

Always refer to the and use the Installation Manual for complete install information.

Fireplace Requirements:

Insert must be placed within a code-conforming masonry or tested and listed factory-built (metal) wood burning fireplace.



Minimum Clearances:

Sidewall to insert:	A = 4"
Side facing:	B = 4"
Top facing:	C = 35 1/2"*
Mantel:	D = 35 1/2"*
Extension on Hearth	E = 1 1/4"

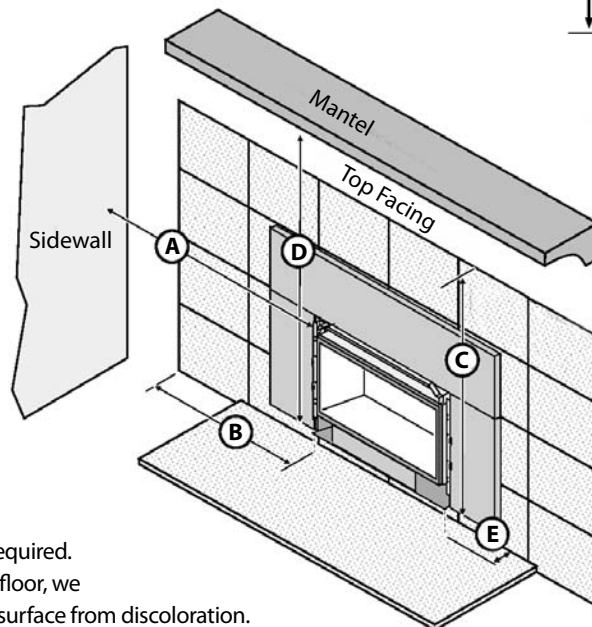
*Measured from the base of the insert.

Mantel & Top Face Clearance:

Maximum Mantel Depth is 12"
 Maximum Top Facing Depth is 3/4"
 (otherwise considered a Mantel)

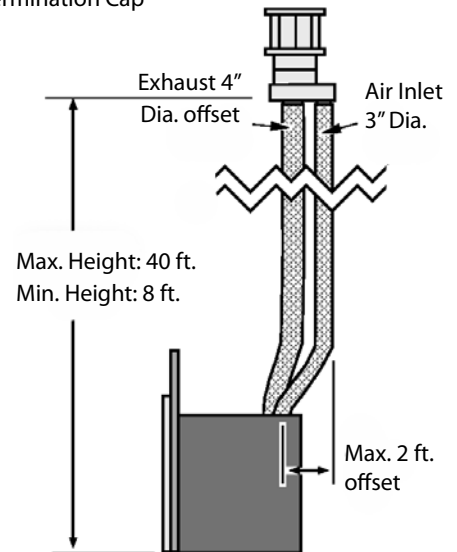
Hearth Requirements:

A non-combustible hearth extension is not required. However, if the heater is installed next to the floor, we recommend a hearth to protect the flooring surface from discoloration.



Venting Requirements:

- Requires UL listed (441 or 1775) Gas Liner for exhaust and air inlet.
- Simpson Duravent 6 5/8" to 3" & 4" Co-linear Adapter and flashing
- Simpson Duravent High-Wind Vertical Termination Cap



Listings:

This appliance was listed by OMNI Test Labs to ANSI Z21.88 - report # 028-F-72c-5. The listing label is attached to the appliance near the gas control valve.

IAS (ICBO) Approval

This appliance was listed by OMNI Test Labs - IAS # TL130.

Massachusetts Approval

Submitted to the Massachusetts Board of State Examiners of Plumbers and Gas Fitters



fireplace**xtrordinair**[™]

See our complete line of fireplaces
 Visit us online: www.fireplacex.com

Photos and illustrations are for descriptive purposes only. We reserve the right to improve or change our products without prior notification. Dancing-Fyre[™] and all other trademarks belong to Travis Industries, inc. Consult the Owner's Manual for complete installation requirements.