

**Blaze  
King**

*Caldera*  
*Direct Vent Fireplace*



# Caldera

## Efficiency Has Never Looked So Good

- State-Of-The-Art Electronic Ignition
- 35,000 Btu Input Natural Or Propane Gas
- Efficiency As High As 72.2%
- Wireless Remote Thermostat With Variable Flame Height Control
- Intermittent Or Standing Pilot For Improved Efficiency
- Pyro-Glo® Ceramic Burner & Logs
- Oversized 750+ Sq. in. Glass Front
- Easy To Clean Removable Glass Door
- 1400 Degree Ceramic Glass
- Limited-Lifetime Warranty Includes 5 Years Parts & Labor On Fans And Controls
- Vanity Light For Year-Round Illumination Of The Fireplace (With Optional Front Only)
- Interchangeable Fronts To Customize Appearance (optional)
- Top Vent or Rear Vent Convertible



Embellish your new Caldera fireplace with old-world charm by adding the stunning Windsor Arch front. The Windsor Arch front features a halogen light to illuminate the beauty of the fireplace year round. Yes, you can even open the front doors to have an unobstructed view of the fire.



# The Anatomy of a Great Zero-Clearance Fireplace!

## Snap Disc

The temperature sensing snap disc automatically turn your fans on and off when your Blaze King® is being used.



## Fan Assembly

This is a fan assembly. There are many types used, but all essentially do the same thing, help to move hot air around your home. Blaze King® gas appliance fans are covered for a full five years, parts & labor!



## Gas Valve

This is a high-tech electronic ignition gas control valve. It regulates gas flow to your appliance and has many features, including the choice of either intermittent or standing pilot. By selecting the intermittent option, your Caldera



Fireplace can provide exceptional efficiencies by allowing the pilot to only burn while the main burner is operating. When you purchase a Blaze King® gas appliance,

the valve & labor are both covered for a full 5 years.

## Wireless Remote

This is a wireless remote thermostat. With this handy device you can regulate flame height and control heat output. You can also control fan speed and turn the illuminated halogen viewing lamp on and off (with optional front). An easy to read, illuminated digital display makes it easy to dial in your comfort zone.



The superior design and engineering embodied in the Caldera produces a supremely clean burning and attractive gas fireplace. It is suited to even the most difficult installations, including high altitude applications. With a simple installation of approved venting, you can safely burn either liquid propane or natural gas. Refer to Owners & Operators Manual Prior To Installation. This appliance must be properly connected to a venting system in accordance with manufacturer's installation instructions.



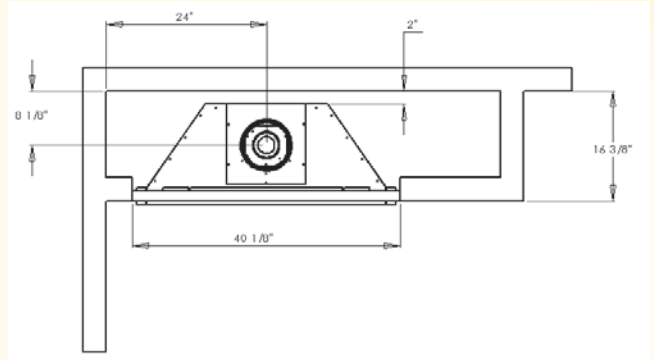
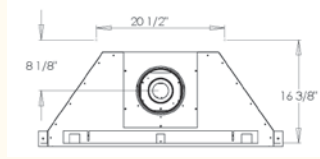
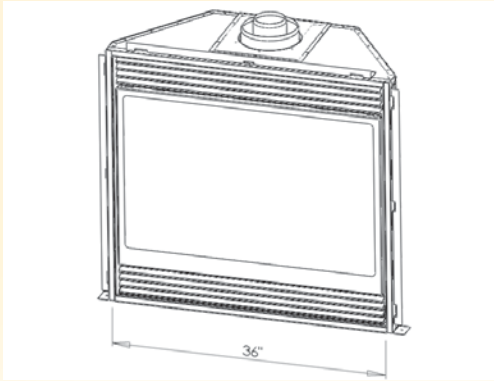
The Caldera Ember Guard Screen conveniently snaps into place in the door of the Caldera fireplace. The screen provides a diffused appearance of the fire and can easily be removed to enjoy a full view of the fire.

Remember back to the days of your childhood? Nearly every fireplace had the charm of the hanging screen, well you can now share that memory of the fireplace with your family and friends.



# Caldera

## Clearances And Specifications



### Performance

Natural Gas	Propane Gas	
35,000	35,000	Max. Input btu/hr
19,000	21,000	Min. Input btu/hr
72.2%	72.2%	Steady State Efficiency
63.1%	63.1%	Canadian P.4 Efficiency

### Unit Dimensions

Width	36"/914mm
Height	33"/838mm
Depth	16 <sup>3</sup> / <sub>8</sub> "/411mm
Weight	196#/90kg

### Flue Diameter

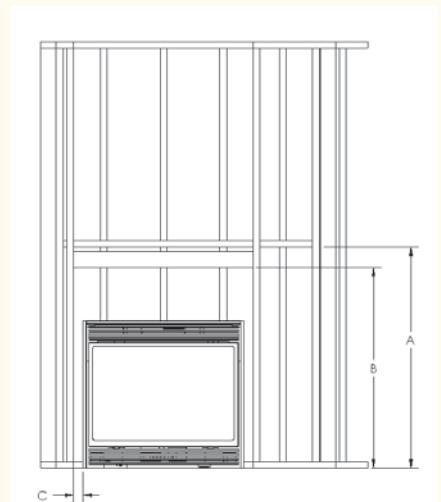
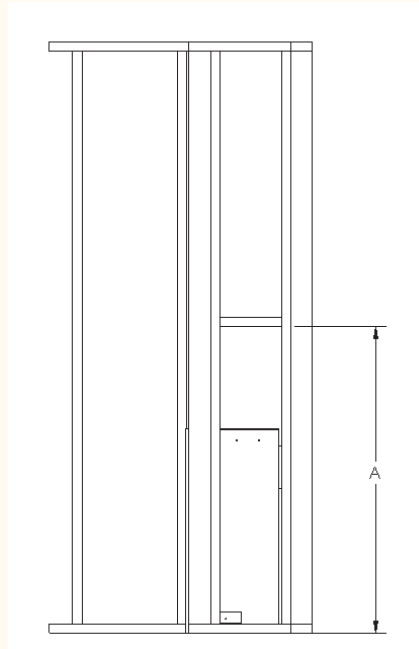
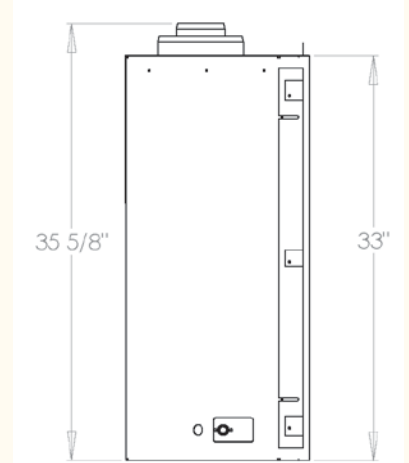
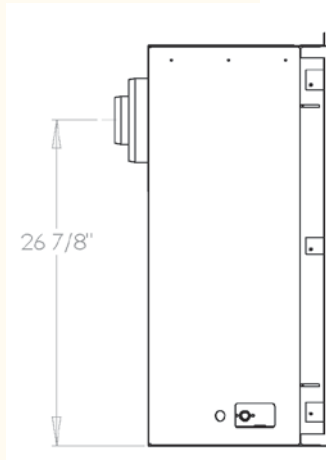
Direct Vent — Rigid	4" x 6 <sup>5</sup> / <sub>8</sub> " (Requires DuraVent 0923AR)
Direct Vent — Flex	4" x 7"

### Clearances to Combustibles

Unit to Side & Back	2"/51mm
Mantle Height	42"/1067mm
Measured from bottom of unit (Based on 6 <sup>5</sup> / <sub>16</sub> " Mantle)	

NOTICE: Improper installation of your gas appliance or failure to operate it according to the guidelines detailed in the owners manual, may negate your warranty and endanger your home or family. Contact local building or fire officials about restrictions and installation requirements in your area. Photos and illustrations are for descriptive purposes only. Changes dictated by the manufacturer's continuing design improvement programs may not be shown. These products are covered by one or more patents in the United States, Canadian and other countries. All Blaze King® Industries products are manufactured under license agreement from: Blaze King® Industries, 146 A Street Walla Walla, WA. 99362 and in Canada by Valley Comfort Systems Inc. 1290 Commercial Way, Penticton BC V2A3H5. Design and specifications subject to change without notice. 09/09 CP76611 2.5M

Pyro-Glo® is a registered trade mark of Pyrotek, Inc.



A= Internal Ceiling Height Min. 60"/1524mm  
 B= Internal Framing Min. 45"/1143mm  
 C= Sidewall Clearance Min. 6"/152mm

Your Authorized Dealer:



Blaze King® Industries  
 www.blazeking.com